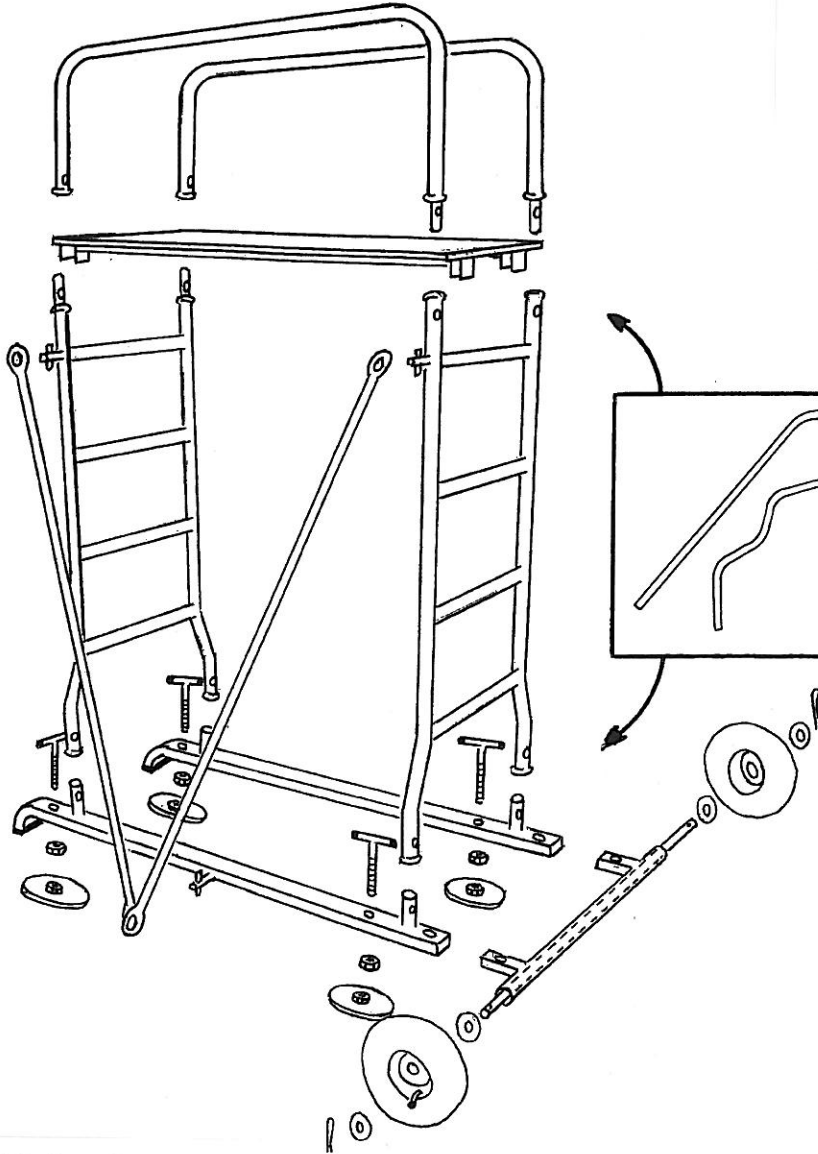


# GARDENO Mobile Work Platform Assembly diagram

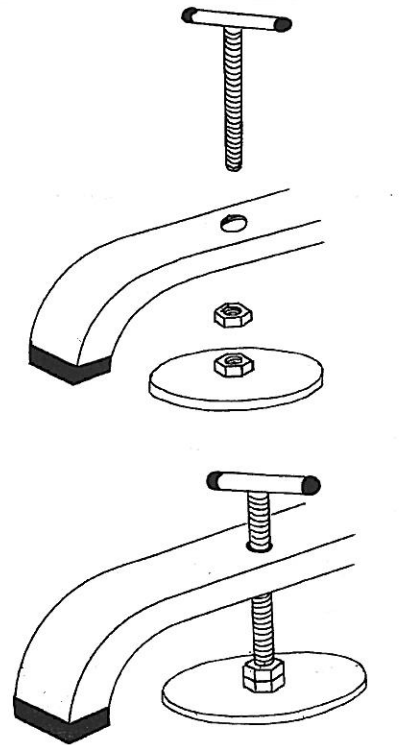
## 1) Overview and assembly block diagram

This overview should be used to identify the various scaffolding components and to see how to assemble them together.



## 2) Fitting the stabilisers

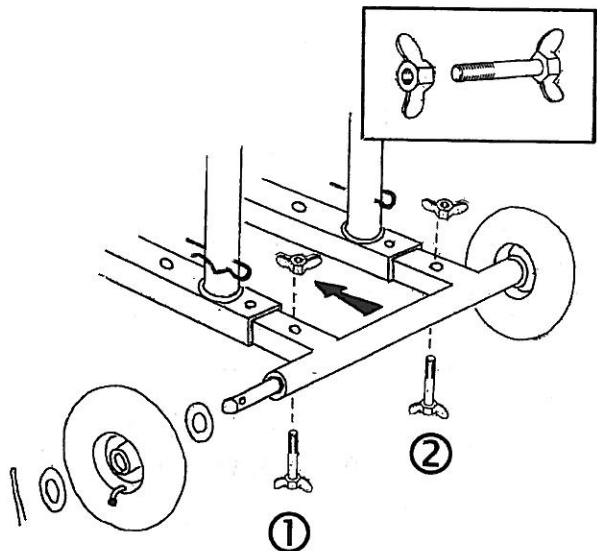
- a) Feed the threaded rod through the base and place a retaining nut on the threaded rod.
- b) Screw the circular plate fully onto the end of the threaded rod and then the locknut against the retaining nut.



Wing screw  
and nut XY

## 3) Fitting the wheels and positioning the rear section

- a) Insert the wheel axle into the axle tube.
- b) On each end of the axle, fit, in the following sequence : washer, wheel, washer, pin.
- c) When the wheels have been fitted, position this assembly at the back of the sub-plates, and fix using 2 sets of wing screw & nut XY.



**IMPORTANT** : See reverse for instructions for use and safety instructions